

arcom.net.pl

Arcom

Mezzanine system for tyre, wheel, rim and general cargo



Welcome to Arcom

Our company established 1996 in Poland, Europe. The principal activity of our company is the production of welded, light metal constructions.

We specialize in production of warehouse and transport systems, we are European leader in the industry. Our main strength is the qualified and ambitious team of staff. We offer our experience gained over the years and supported by modern technology.



More than **1000** warehouses equipped



Export over **90%** of our production



Delivery to more than **60** countries



We work to iso 9001:2015 standard and our products are tested and approved by TUV institute. You buy reliable and proven solution whenever you choose Arcom.

ATTESTATION

TUV
Product Service

Production facility inspection on the basis of the agreement in the testing and certification rules performed on August 08, 2018

License holder:
Arcom Sp. J. Artur Wilk, Robert Zioba
Brzeźka 3
32-765 Roztocze
POLAND

This facility manufactures products certified by TÜV SÜD Product Service GmbH. The requirements to a fabricator and homogenous fabrication as stated in the list and certification rules are met. The applied and documented quality assurance procedures were found suitable.

Production facility:
Arcom Sp. J. Artur Wilk, Robert Zioba
Brzeźka 3
32-765 Roztocze
POLAND

Equipment tested:
Rafter/rafter / shelves / storage equipment

The production facility inspection was conducted according to the instructions of TÜV SÜD Product Service GmbH. This attestation is valid for 12 months, starting with the date of inspection.

Hamburg, August 08, 2018

Mohr, Wolfgang

TUV

CERTIFICATE
No.: TW 420888-002

License holder:
ARCOM Sp. J.
Brzeźka 3
32-765 Roztocze
Poland

Manufacturing Plant:
ARCOM Sp. J.
Brzeźka 3
32-765 Roztocze
Poland

Project number: 800069-031
Our reference: 880069-2
The period of validity: from 30.06.2018 to 29.06.2019

Tester as: EN 19026:2015

Certification system: 8.000: PKN-ISO/IEC Guide 67:2007
Certification program: PCWU

Certified Product (Product identification):
Platform for the storage of types
Type: AR01 1T/4
dimensions: L x H x B (mm): 2350 x 1250 x 2200
max amount of storage: 16 + 4
gutter track capacity: 100
gutter slope: 1/80
equipment content: 100
quantity number of files in the plant for identification of the size and storage system: 100
name size profile corner (mm): 80x40x15
name size profile corner (mm): 80x40x15

TUV Rheinland Polska Sp. z o.o.
ul. 17 Brykowa 16,
52-148 Wrocław, Polska
Tel.: +48 22 221 546 70 00
Tel.: +48 22 221 546 70 00
e-mail: psw@tuev.com

Product Certification Body:
Tomasz Marzec

TUV Rheinland
Precisely Right.

www.tuev.pl

CERTIFICATE
No.: TW 420888-001

License holder:
ARCOM Sp. J.
Brzeźka 3
32-765 Roztocze
Poland

Manufacturing Plant:
ARCOM Sp. J.
Brzeźka 3
32-765 Roztocze
Poland

Project number: 800069-031
Our reference: 880069-2
The period of validity: from 30.06.2018 to 29.06.2019

Tester as: EN 19026:2015

Certification system: 8.000: PKN-ISO/IEC Guide 67:2007
Certification program: PCWU

Certified Product (Product identification):
Platform for the storage of types
Type: AR01 1T/4
dimensions: L x H x B (mm): 2350 x 1250 x 2200
max amount of storage: 16 + 4
gutter track capacity: 100
gutter slope: 1/80
equipment content: 100
quantity number of files in the plant for identification of the size and storage system: 100
name size profile corner (mm): 80x40x15
name size profile corner (mm): 80x40x15

TUV Rheinland Polska Sp. z o.o.
ul. 17 Brykowa 16,
52-148 Wrocław, Polska
Tel.: +48 22 221 546 70 00
Tel.: +48 22 221 546 70 00
e-mail: psw@tuev.com

Product Certification Body:
Tomasz Marzec

TUV Rheinland
Precisely Right.

www.tuev.pl

The highest standard storage

Arcom racks enable storage of tyres, wheels, and rims for PCR, SUV, TBR, motorcycle & quads, aircrafts etc.), allow for cheap transport thanks to foldable design. You can move them whenever needed and use the space for another purpose. This flexibility results in your profitability.

Our technical engineers are able to design for you the warehouse 2D & 3D, showing the quantity of the racks and the capacity of the warehouse.

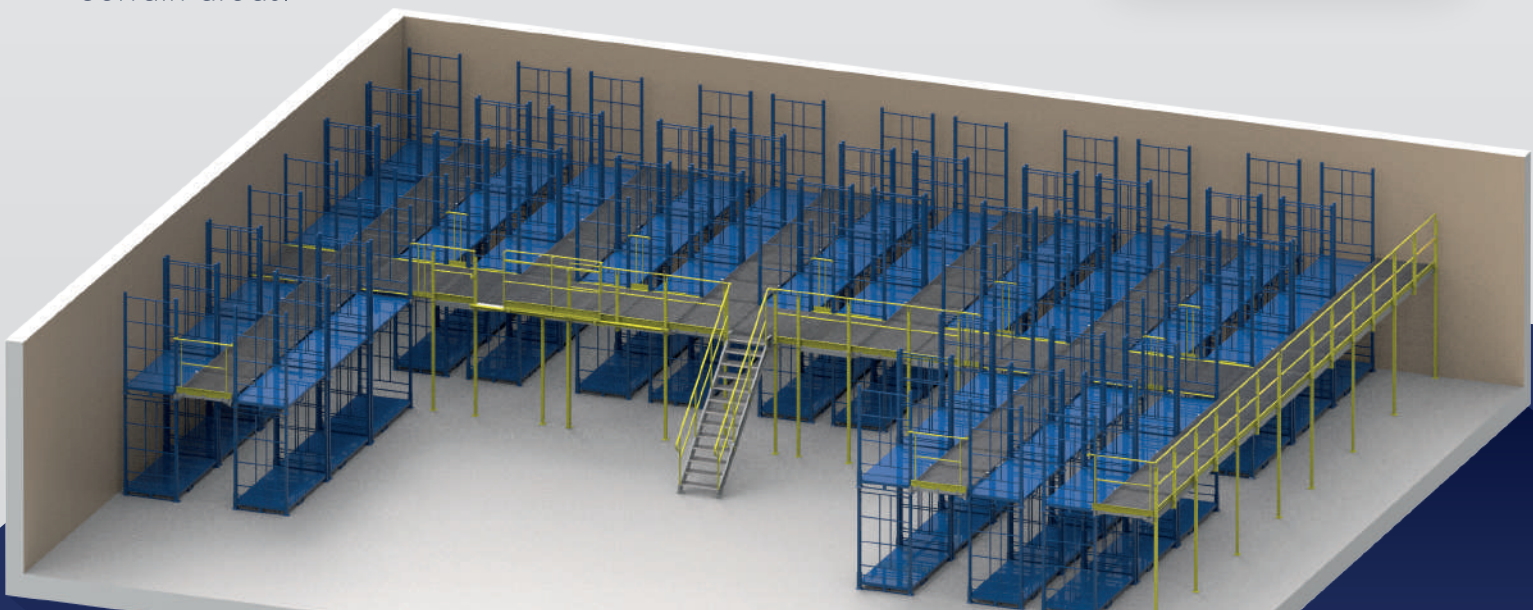
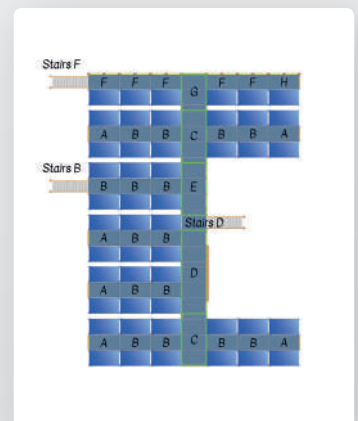


Mezzanine floors (platform)

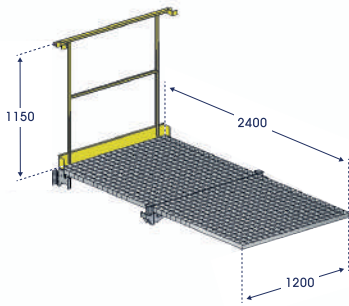
Double the surface area of warehouses in a simple and cost-effective way. Quick and easy to assemble.

Mezzanine floors allow you to take maximum advantage of the height of premises, doubling the surface area. Installing mezzanine floor systems is an ideal solution to maximize the available space.

Mezzanines can be completely dismantled for reuse elsewhere, and their structure, dimensions and location are easily modified. They can be installed throughout the whole warehouse or in certain areas.

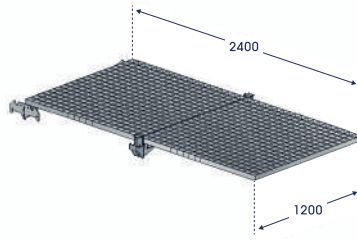


The modules



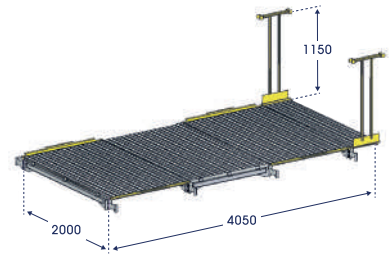
width x length:
1200 x 2400 (mm)
load capacity:
250kg/m²
grid spacing:
33 x 33 (mm)

Module
A



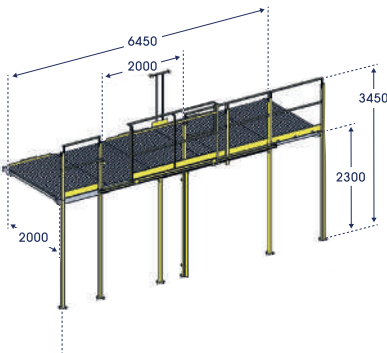
width x length:
1200 x 2400 (mm)
load capacity:
250kg/m²
grid spacing:
33 x 33 (mm)

Module
B



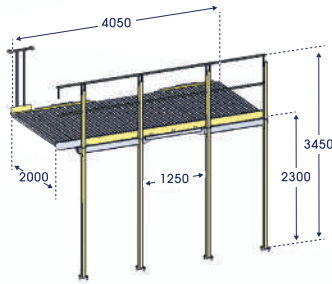
width x length:
2000 x 4050 (mm)
load capacity:
250kg/m²
grid spacing:
33 x 11 (mm)

Module
C



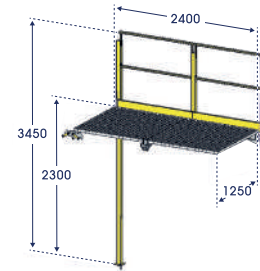
width x length:
2000 x 6550 (mm)
load capacity:
250kg/m²
grid spacing:
33 x 11 (mm)

Module
D



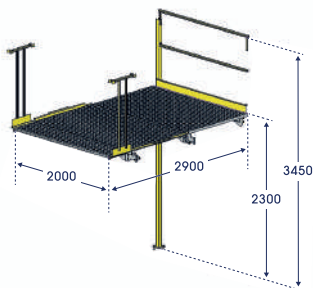
width x length:
2000 x 4050 (mm)
load capacity:
250kg/m²
grid spacing:
33 x 11 (mm)

Module
E



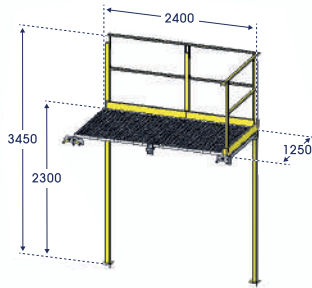
width x length:
1250 x 2400 (mm)
load capacity:
250kg/m²
grid spacing:
33 x 33 (mm)

Module
F



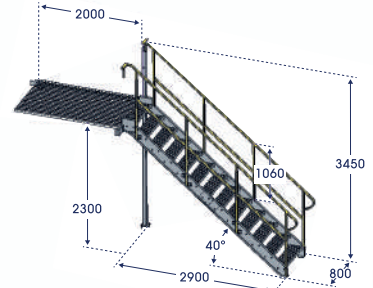
width x length:
2000 x 2900 (mm)
load capacity:
250kg/m²
grid spacing:
33 x 11 (mm)

Module
G



width x length:
1250 x 2400 (mm)
load capacity:
250kg/m²
grid spacing:
33 x 33 (mm)

Module
H



width x length:
800 x 2900 (mm)
load capacity:
250kg/m²
grid spacing:
33 x 33 (mm)

Module
I

Tires, rims, wheels & general cargo

Purpose

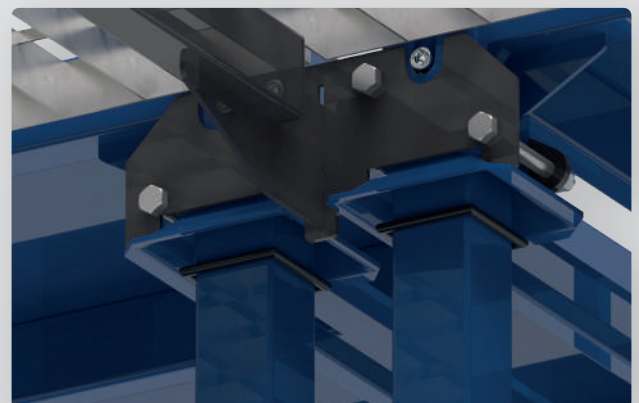
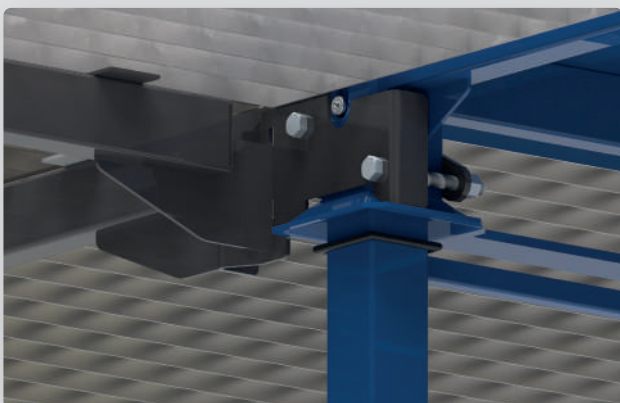
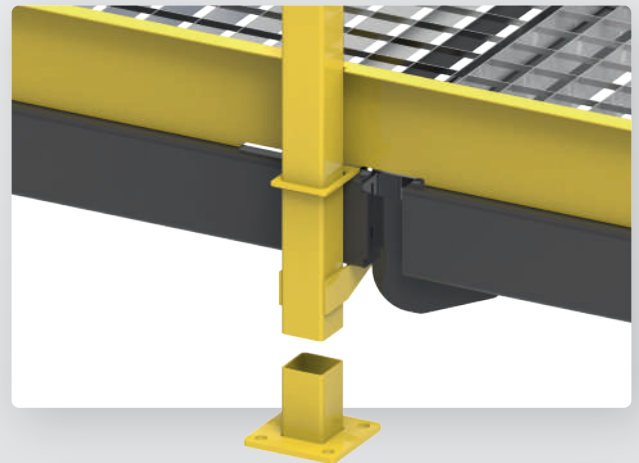
- ✓ Tire & Wheel seasonal storage.
- ✓ Tire & Rims warehousing.
- ✓ General cargo stocks.
- ✓ Perfect back-up for internet shops.

Advantages

- + Increased extra floor space in industrial premises
- + Multiplies your capacity.
- + Quick and easy to assemble without engineering work and special tools.
- + Can be complemented with a variety of Arcom racks.
- + Easy to relocate, expand and changes.
- + Strong, long – lasting materials used.
- + Good order and easy inventory checks.



Quick and easy to assemble!



Customers' warehouses



Arcom

transport and
storage systems



Arcom s.j. Artur Wilk, Robert Zięba
ul. Brzeska 3, 32-765 Rzezawa, Poland

REGON: 85041216, NIP: PL868-10-14-503, KRS: 0000094094,
wyst. przez Sąd Rejonowy dla Krakowa-Śródmieścia z dnia
22.02.2002r. D-U-N-S (367486706)



+48 14 6960400 fax



+48 14 6960401



info@arcom.net.pl