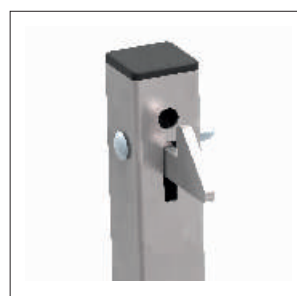
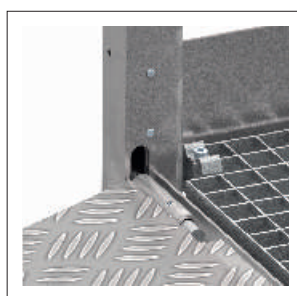
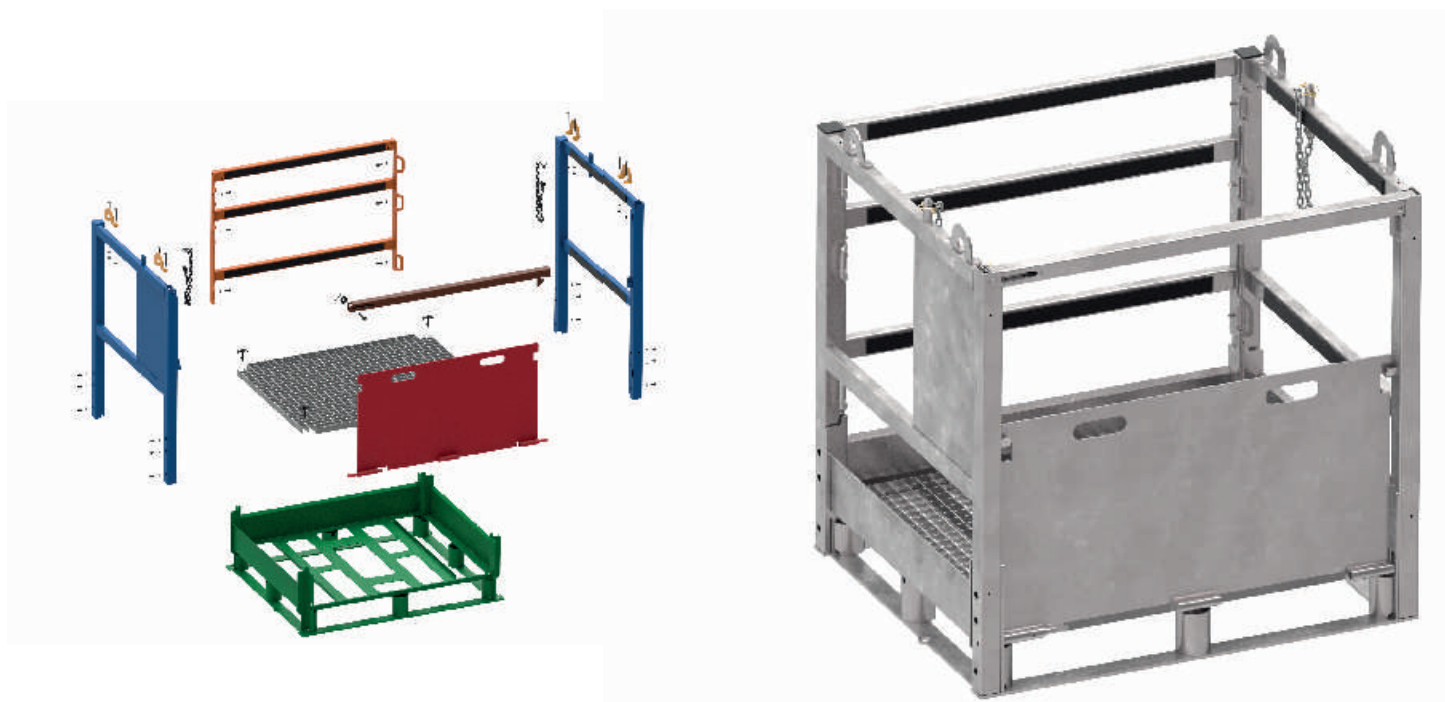


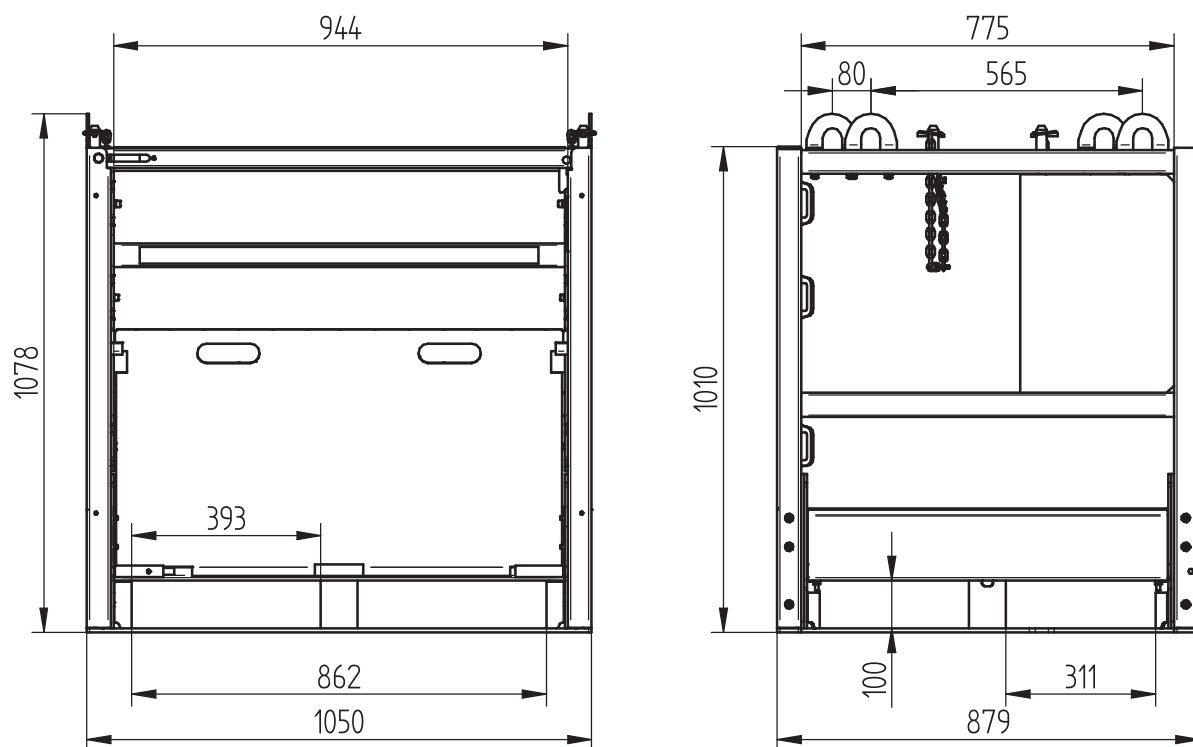
Transport cage for gas cylinders

Application	Maximum load	Stackability (empty)	Stackability (full)	Capacity	Coating



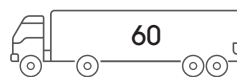
DIMENSIONS	LENGTH	WIDTH	HEIGHT
ARG33	1050	880	1078

TECHNICAL DATA



TRANSPORT

ASSEMBLED



40' HC 52

DISASSEMBLED



40' HC 176



ARCOM sp.j.
Artur Wilk,
Robert Zięba

ul. Brzeska 3
32-765 Rzeszawa,
Polska

tel: +48 14 696 04 00
fax: +48 14 696 04 01

info@arcom.net.pl
www.arcom.net.pl